

857/706 escort

PORTABLE ZERO LLC
26045 Birch Bluff Road
Shorewood, MN 55331
Email: info@portablezero.com
www.portablezero.com

Assembly: Note: The radio mounting screws (D) are designed to be used with the complete escort system including the protective frames and mounting brackets. If you opt to install the side panels and strap only, shorter mounting bolts will be required (not included) or circuit board damage can occur. Use M4 x 10 mm for 857D and M4 X 8MM for Icom 706/703.

Step 1: Install the 4 rubber pads on the inside (towards radio) of each side panel as shown in figure 1

Step 2: locate **Mounting bracket** (A) and position it over the **protective frame** (B) with seam aligning in the center of the mounting bracket and on the bottom as shown in figure 2.

Step 3: Place the mounting bracket and protective frame against side panel (C) as per figure 2 and insert (M4) mounting screw (D) through mounting bracket and through the hole in side panel (C) then into the rear threaded mount hole in the radio and hand tighten. Install the front mounting bracket in the same manner. Make sure that the 2 seams in the protective frames are aligned in the center of the mounting brackets, (this is best viewed from the underside of the radio) then snug up the screws. **Caution: Do not over tighten the mounting screw. Just moderate tightening is required. The tapped holes in the radio can be stripped if overtightened.**

Step 4: Attach the carrying strap as desired.

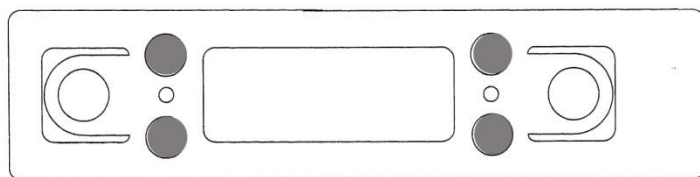


Figure 1

Install 4 rubber pads on inside (facing radio) of both side panels as shown above. Pads should be placed about 3/16 above and below mounting holes. Pad location does not need to be exact.

Figure 2

Install side frame with wide spaced panel towards the back of radio.

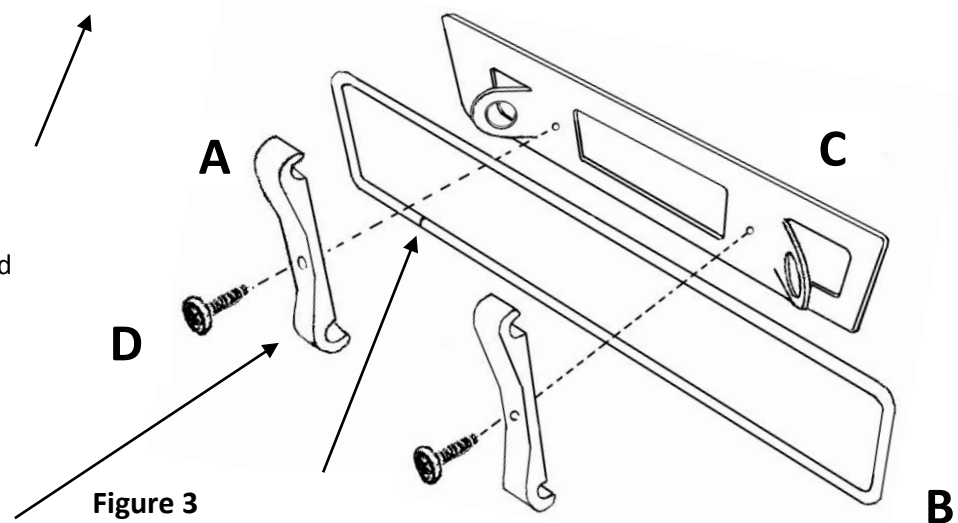


Figure 3

Center rear mounting bracket over seam in protective frame (install frame with seam on the bottom)